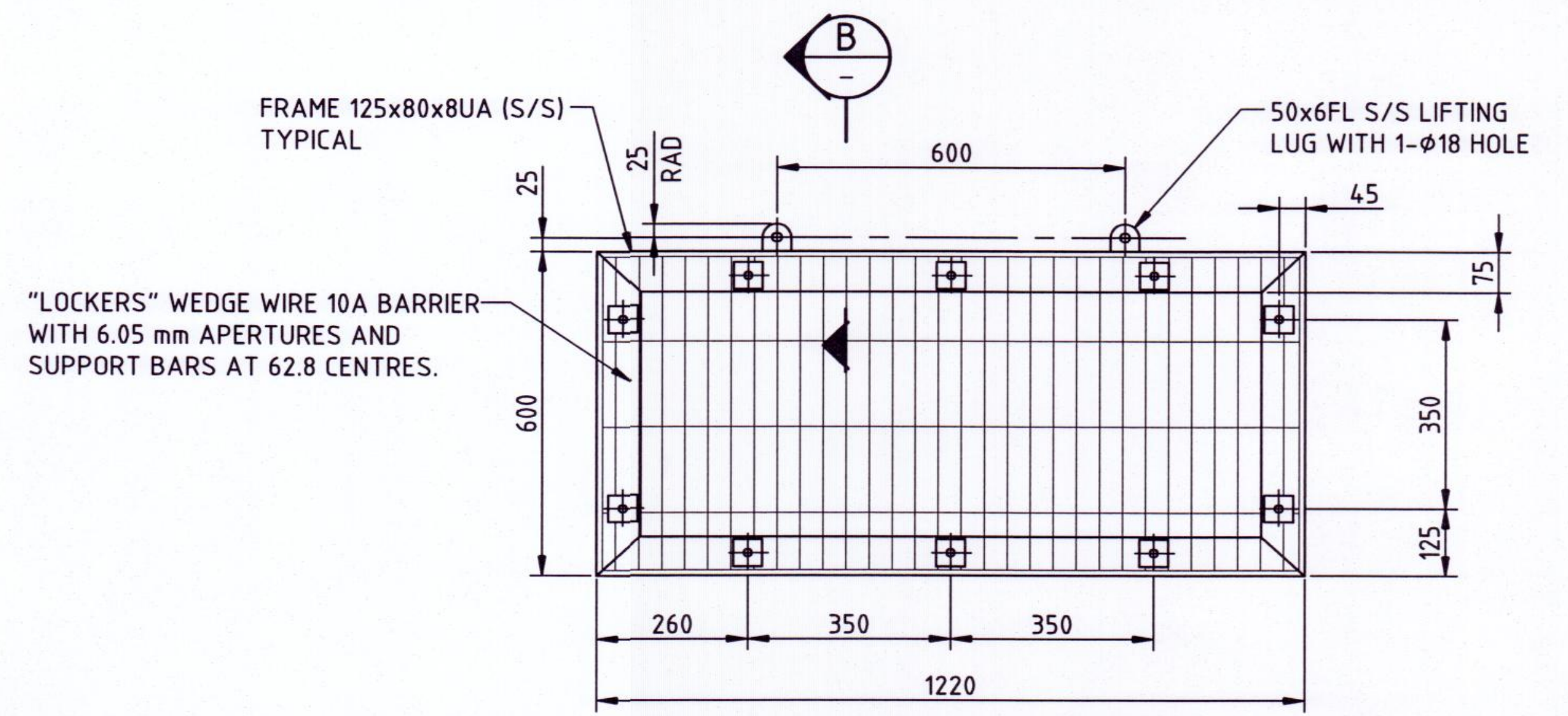


"LOCKERS" WEDGE WIRE 10A BARRIER WITH 6.05 mm APERTURES AND SUPPORT BARS AT 63 CENTRES.

**ELEVATION**  
**WEDGE WIRE BARRIER**  
**DETAIL 1**

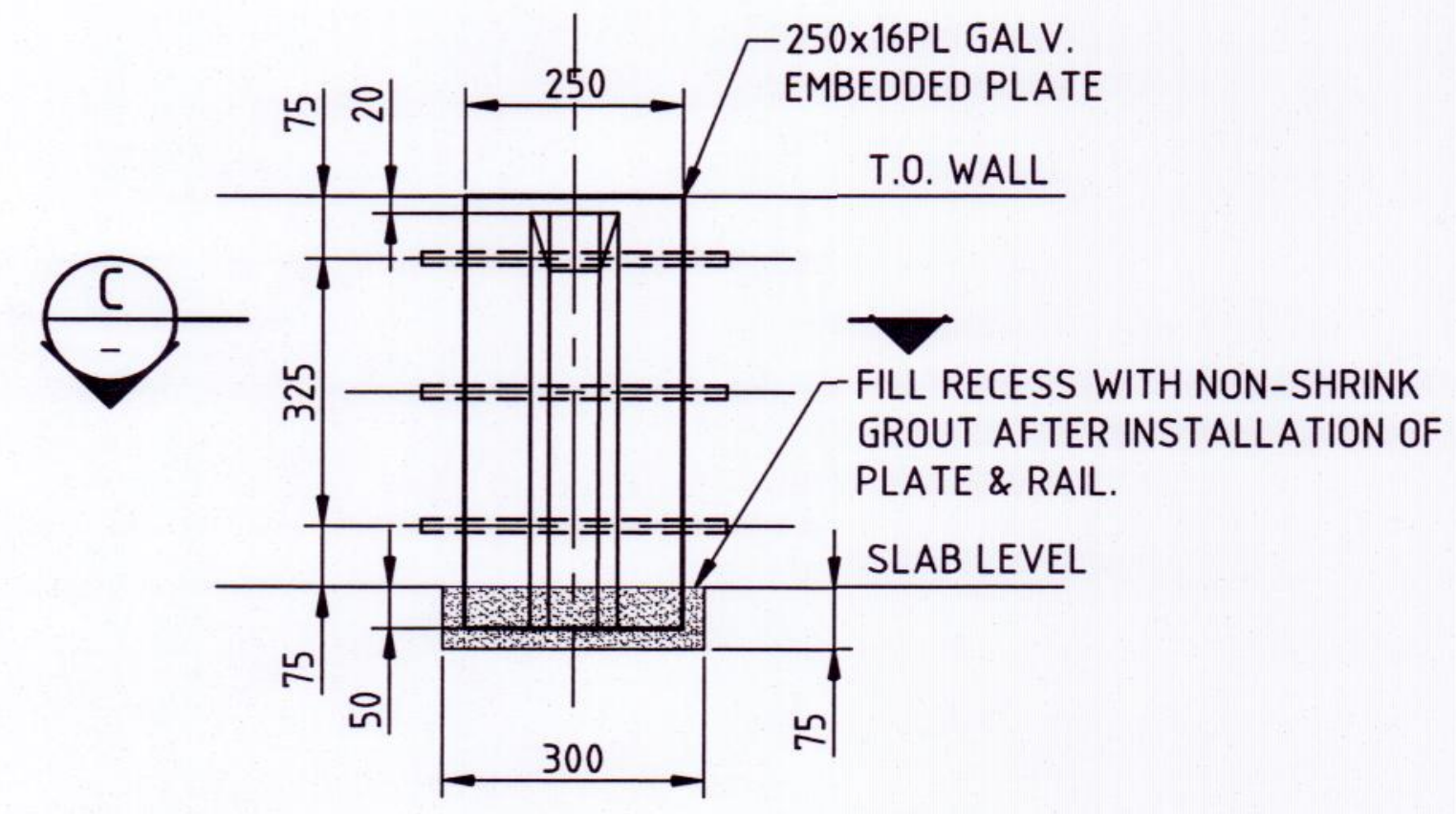
ALL BARRIER STEEL, FIXTURES & WEDGE WIRE TO BE GRADE 304 S/S



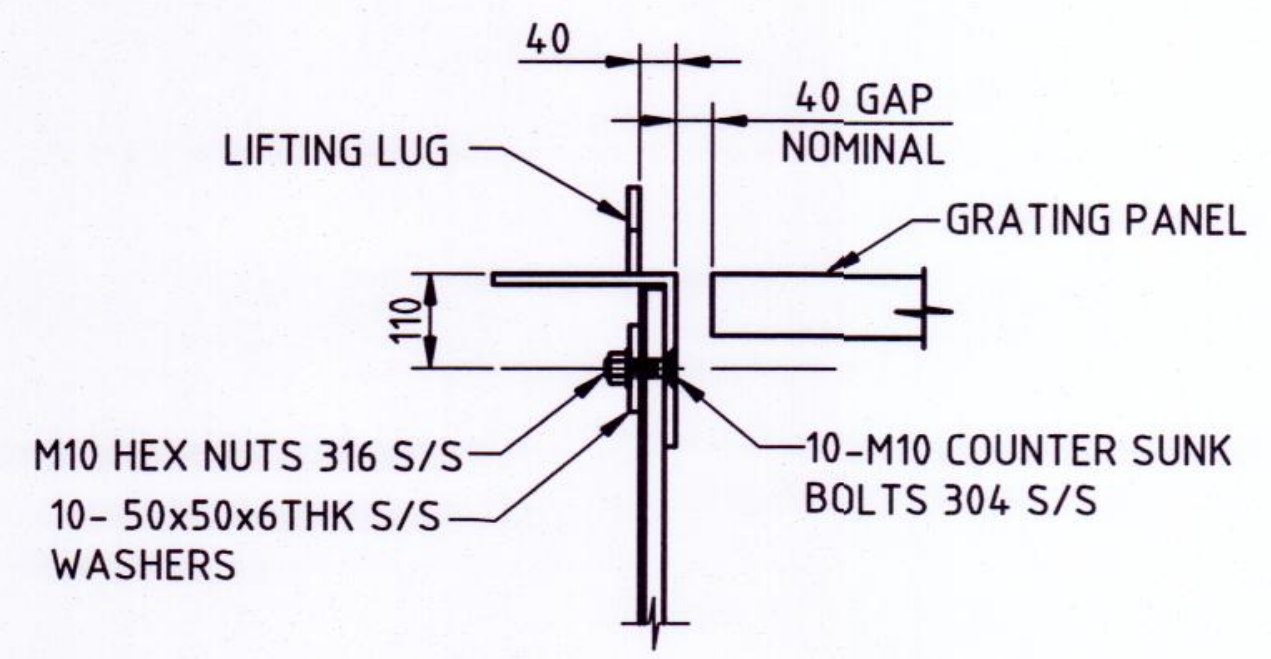
"LOCKERS" WEDGE WIRE 10A BARRIER WITH 6.05 mm APERTURES AND SUPPORT BARS AT 62.8 CENTRES.

**ELEVATION**  
**WEDGE WIRE BARRIER**  
**DETAIL 2**

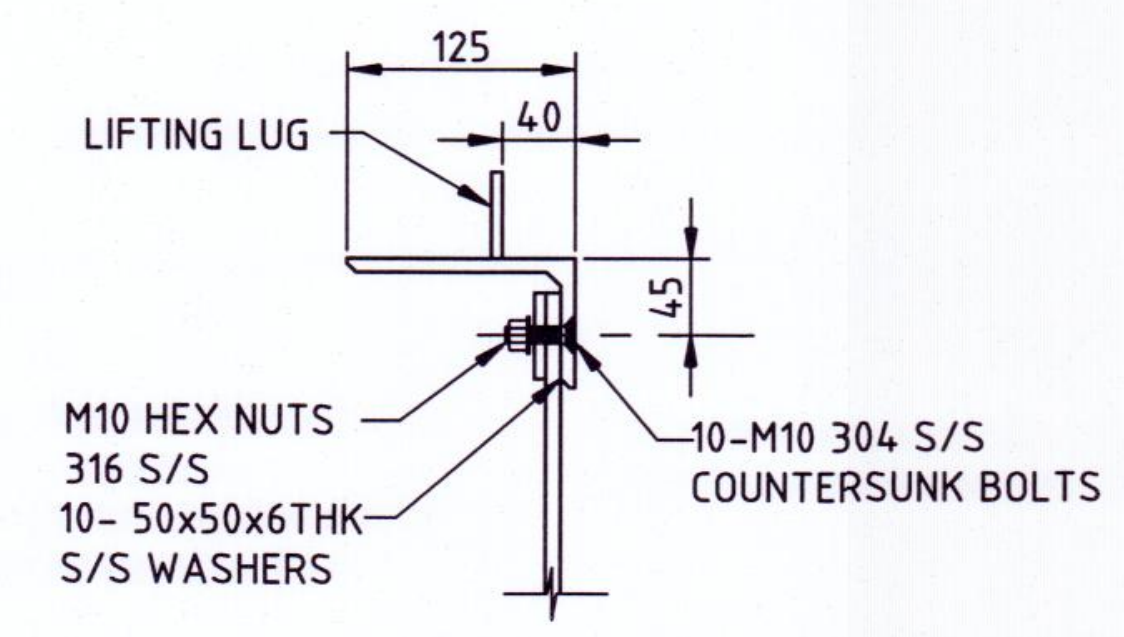
ALL BARRIER STEEL, FIXTURES & WEDGE WIRE TO BE GRADE 304 S/S



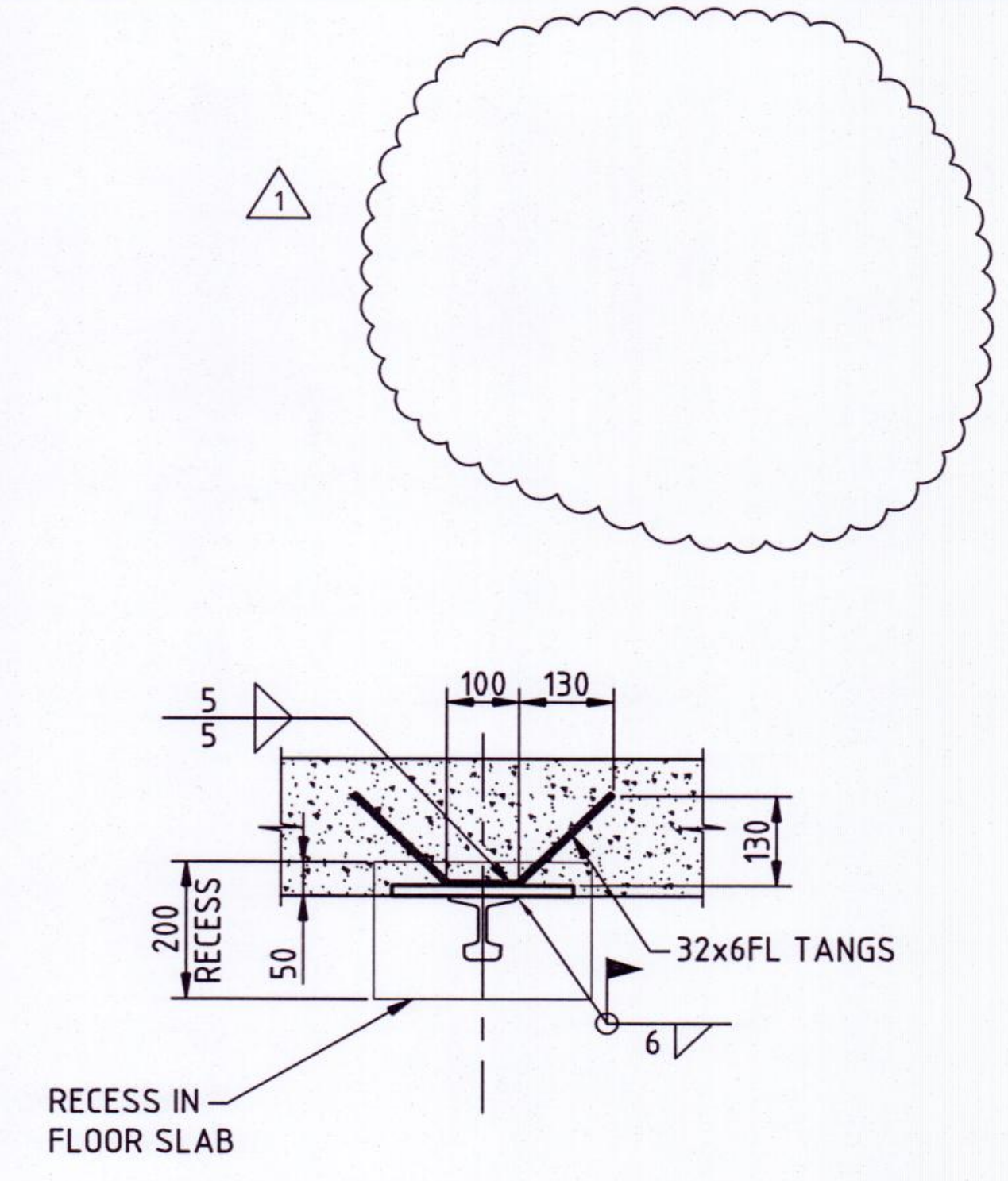
**EMBEDDED PLATE**  
**DETAIL 3**



**SECTION A**



**SECTION B**



**SECTION C**

**NOTES**  
1. FOR GENERAL NOTES REFER DRG 4-07-2005