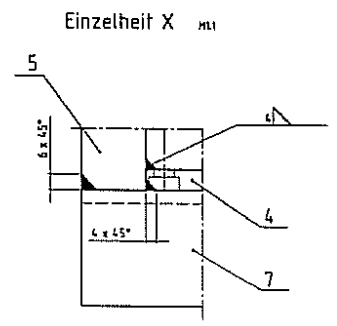
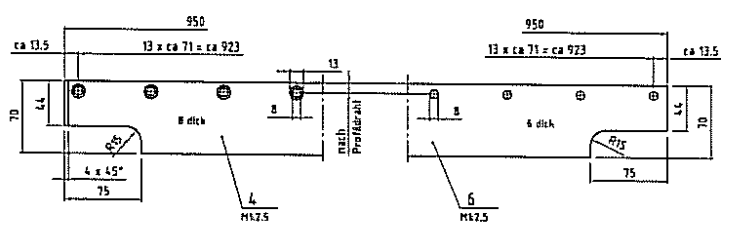
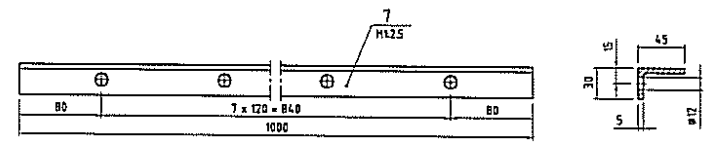
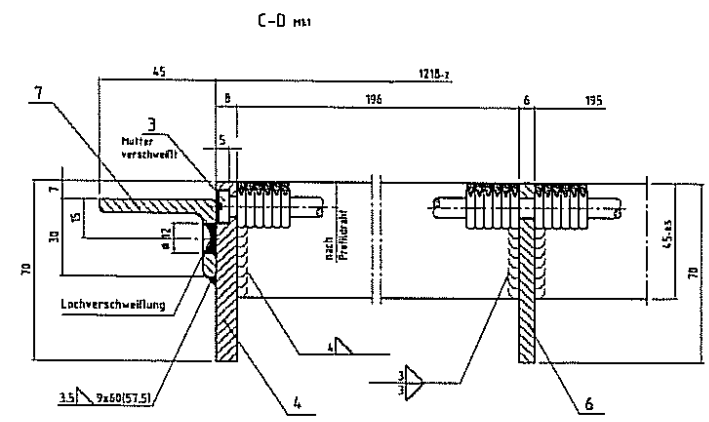
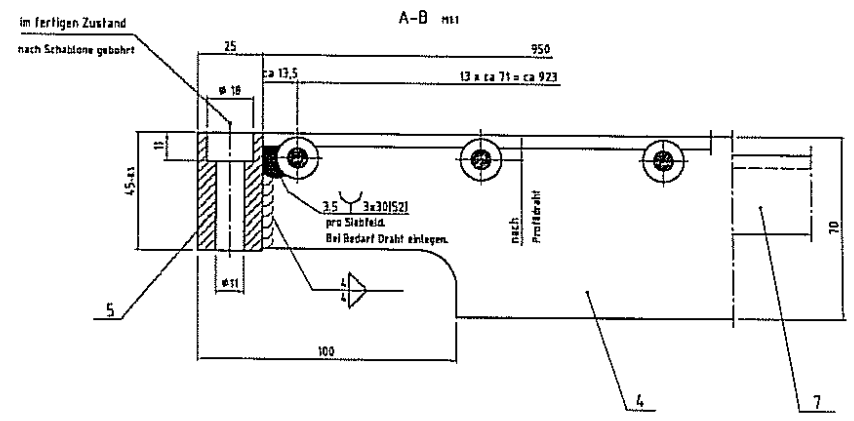
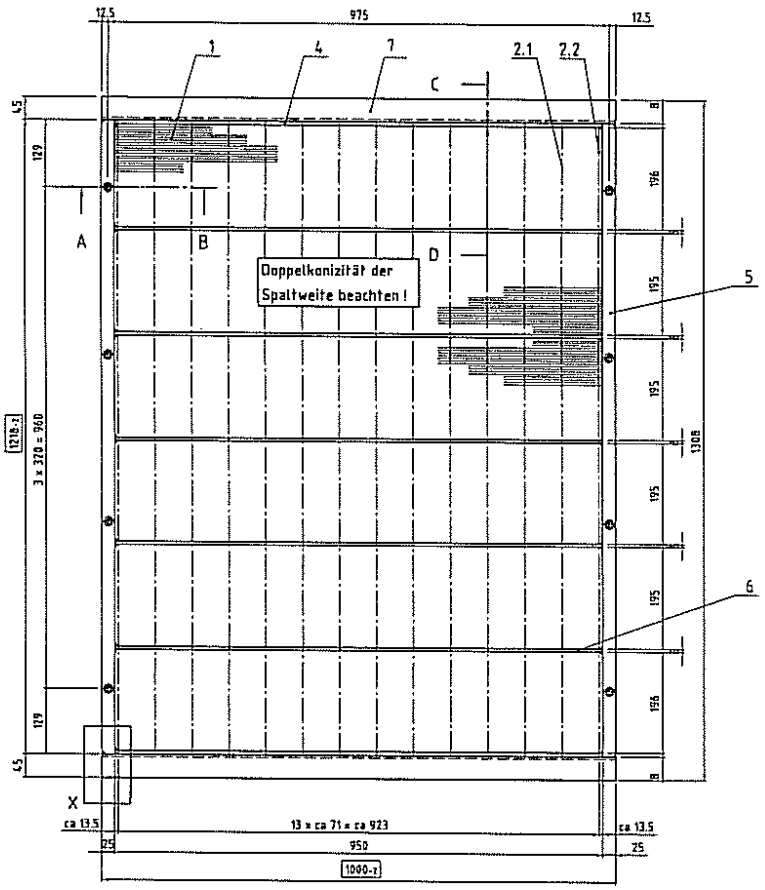


Wedge wire screens made of looped profile wires

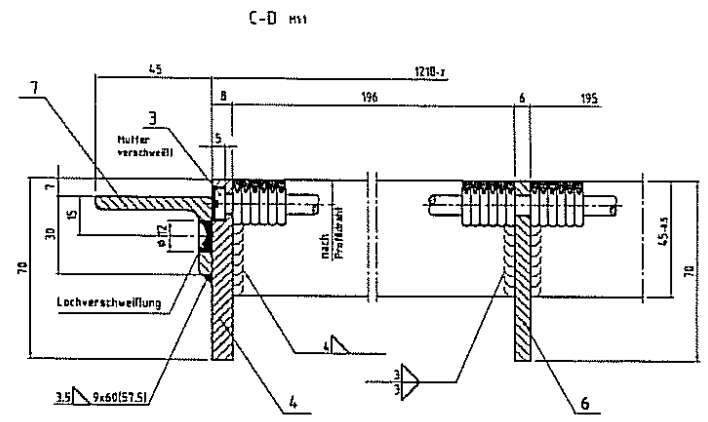
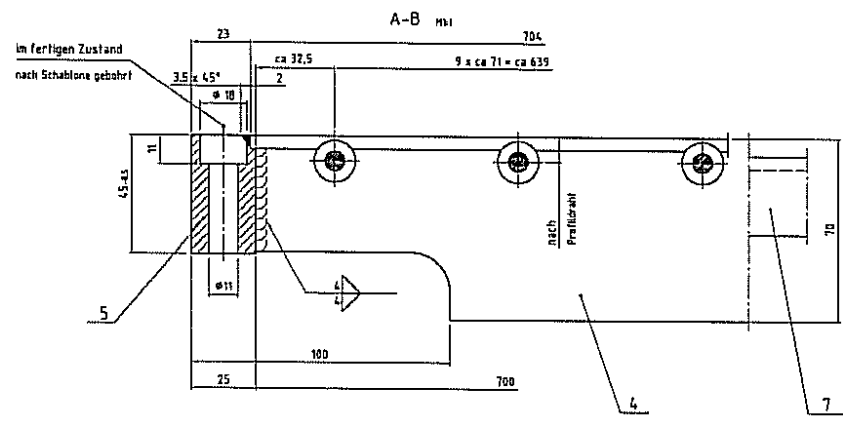
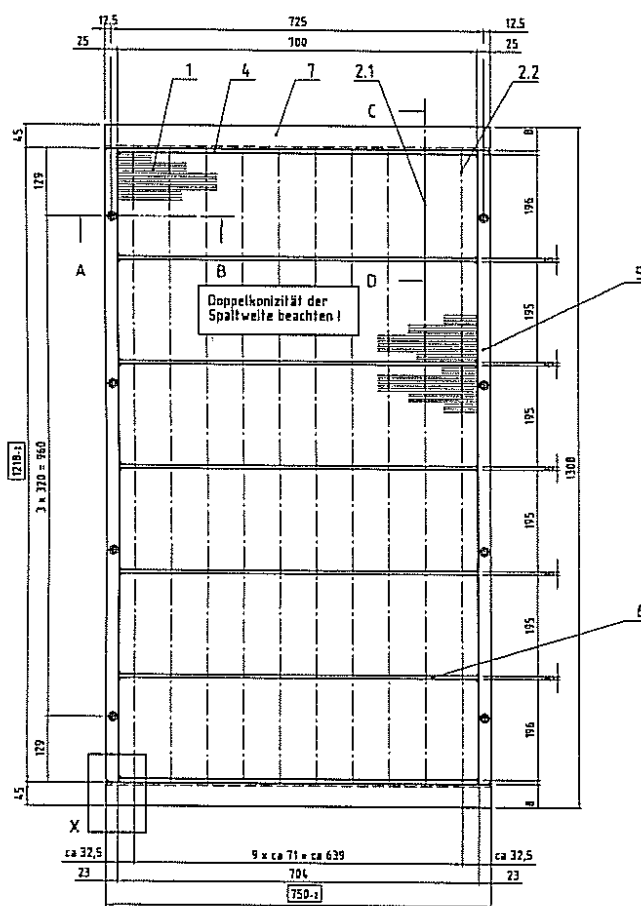
Material:

Profile wires and cross bars : D8-2, W.-No. 1.0313
Edge reinforcement : St. 37K, W-No. 1.0037
Reinforcement rails : St. 37K, W-No. 1.0037

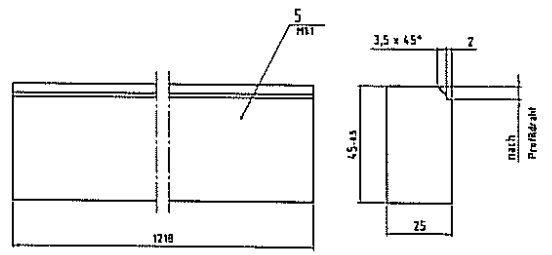
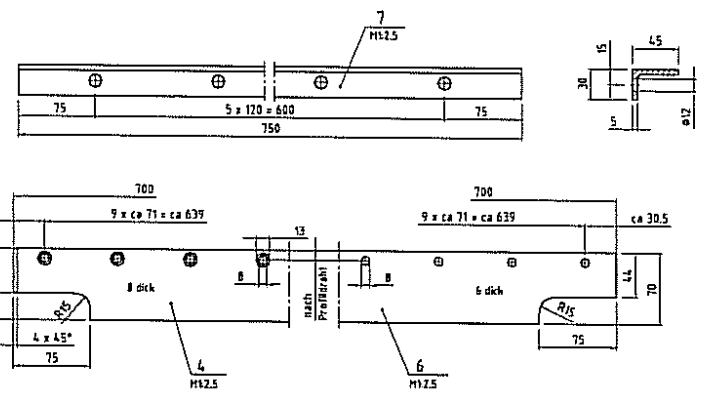
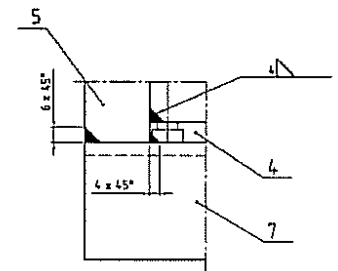
Quantity :	17 pcs.	1 pc.	1 pc.
Profile :	34Wa	34Wa	34Wa
Slit width :	0,5 - 0,7	0,5 - 0,7	0,5 - 0,7
Cross bar pitch :	70 mm	70 mm	70 mm
Length in slit direction :	1000 mm	750 mm	500 mm
Width over frame without angle :	1218 mm	1218 mm	1218 mm



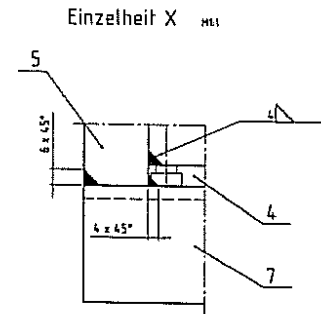
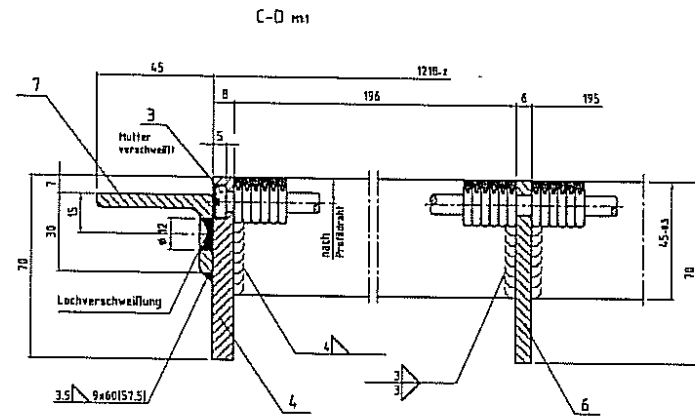
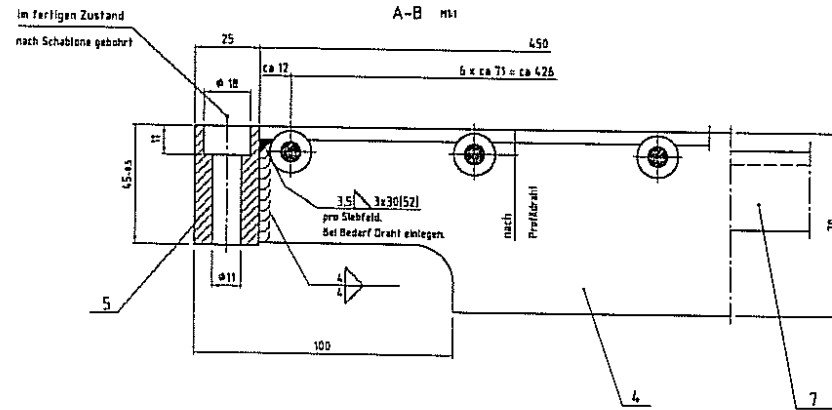
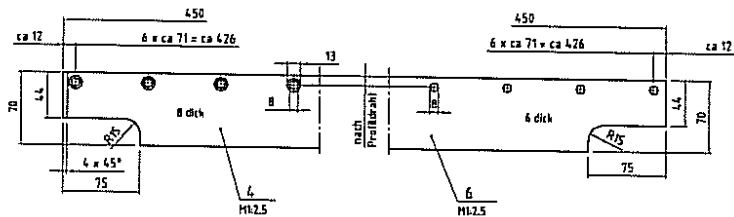
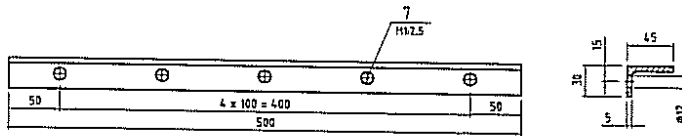
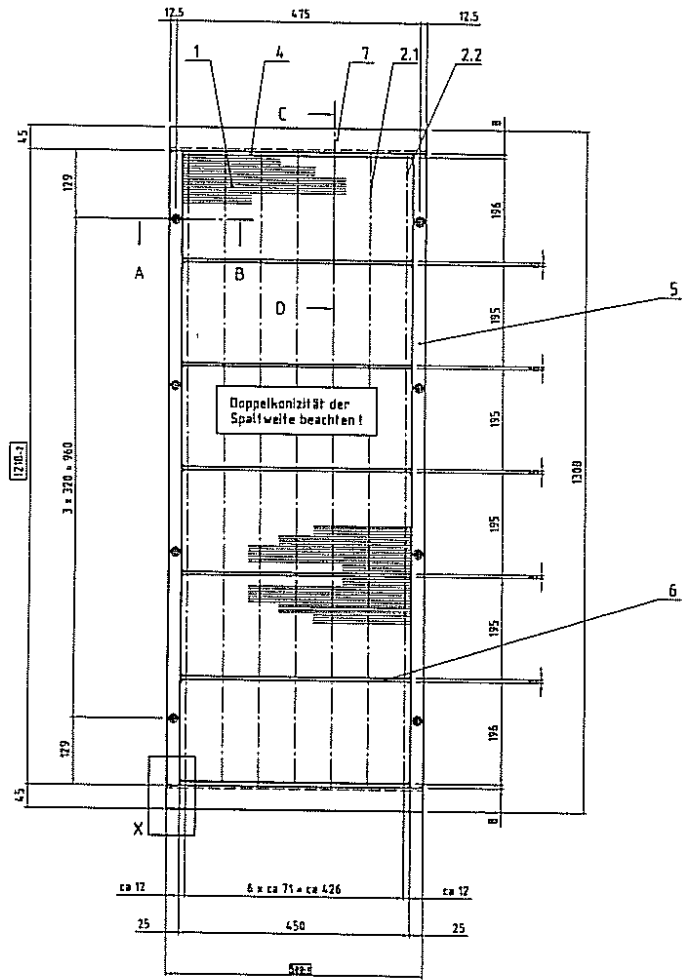
17 PIECES



Einzelheit X M11



1 PIECE



1 PIECE